

## Portable Cambar®

Model BAR540

### Features & Benefits

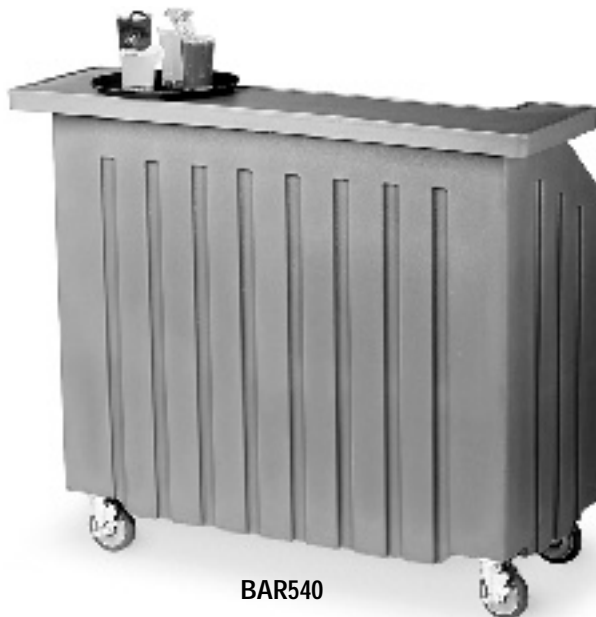
- Design combines form with function to create an efficient profit making beverage service station.
- Rounded corners and molded compartments are shock absorbent to protect valuable glassware and bottles during transport.
- Recessed work area prevents spillage and provides ample room for drink preparation.
- Seamless, double-wall, high-density polyethylene construction. Won't rust, peel, crack, chip or dent.
- Top shelf removes for easy and complete cleaning.
- Deep ice sink holds up to 100 lbs. (45,5 Kg.) of ice.
- NSF listed threaded faucet drain with standard hose hook-up is located under ice sink and provides easy draining and cleaning.
- Four each 5" (12,7 cm) swivel casters w/ brakes ensure easy maneuvering at any event.
- Removable speed rail holds 5 bottles for added convenience.
- Non-electrical.
- No assembly required.
- Available in 10 colors.

Item No. \_\_\_\_\_

Specifier Identification No. \_\_\_\_\_

Model No. \_\_\_\_\_

Quantity \_\_\_\_\_



# Portable Cambar®

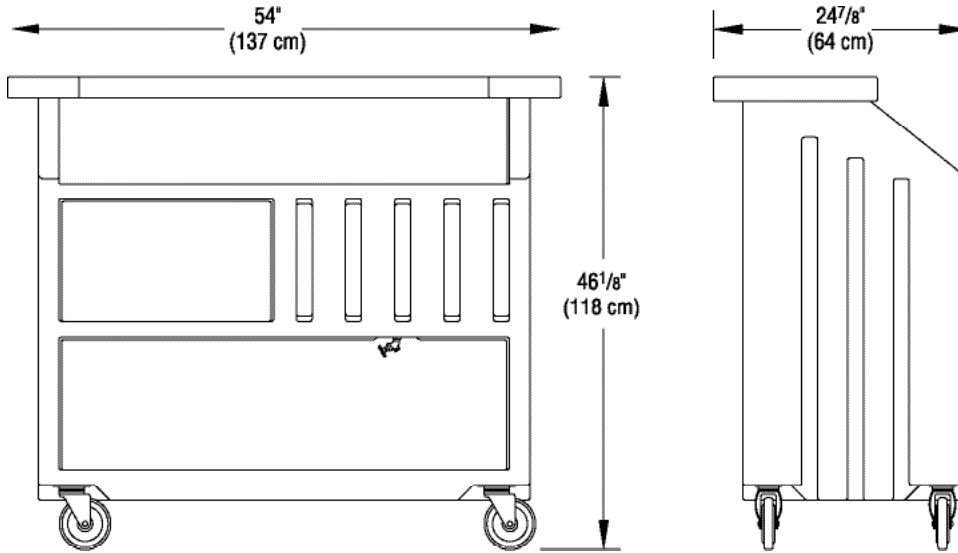
Model BAR540

Item No. \_\_\_\_\_

Specifier Identification No. \_\_\_\_\_

Model No. \_\_\_\_\_

Quantity \_\_\_\_\_



## Specifications

Dimension Tolerance: +/- 1/4" (0,64 cm)

Code	Description	Overall Dimensions L x W x H	Case lbs./cube Kg/m <sup>3</sup>
BAR540	Cambar with a 5-bottle speed rail and deep 100 lb. (45,5 Kg.) capacity ice sink with drain.	54" x 24 7/8" x 46 1/8" (137 x 64 x 118 cm)	140 (39.57) 63,5 (1,1)

## Architect Specs

The non-electrical portable bar shall be a Cambar™, model BAR540 manufactured by Cambro Mfg. Co., Huntington Beach, CA 92648 U.S.A. It shall be constructed of molded high-density polyethylene and foam-injected polyurethane. It shall have 4 each 5" (12,7 cm) swivel casters w/ brakes on impact plates. It shall have one 5-bottle speed rail with a towel grip and 2 built-in partitions. It shall have a deep 100 lb. (45 Kg.) capacity ice bin. It shall be available in 10 colors.

## Standard Colors

- Granite Gray (191)
- Granite Sand (194)
- Coffee Beige (157)
- Brick Red (402)
- Granite Green (192)
- Black (110)
- Dark Brown (131)
- Granite Red (193)
- Slate Blue (401)
- Gray (180)