

# Champion<sup>®</sup>

The Dishwashing Machine Specialists

Project \_\_\_\_\_  
Item No. \_\_\_\_\_  
Quantity \_\_\_\_\_

## STANDARD FEATURES

- Pre-drilled table for pre-rinse sprayer (single-mount base)
- Large 11-1/2" deep sink with overflow drain
- Removable scrap screen holder
- Two lift-out scrap screens
- Lower storage cabinet holds extra dish racks and chemical supplies
- Integral drainboard
- Seamless 3-1/2" backsplash
- Heavy-gauge Type 304 stainless steel
- NSF Listed



## 1-RDT

Rack Dish Table  
For Undercounter Dishwashing Machines



The 1-RDT is shown with optional sprayhose

1-RDT RACK DISH TABLE

## OPTIONS & ACCESSORIES

- Pre-rinse sprayer (single mount base)
- Garbage disposal unit
- 42" wall-mounted stainless steel overshef

Champion Industries, Inc.  
P. O. Box 4149, Winston-Salem, NC 27115  
Tel: 336/661-1556 Fax: 336/661-1979  
2674 N. Service Road,  
Jordan Station, Ontario, Canada L0R 1S0  
Tel: 905/562-4195 Fax: 905/562-4618

[www.championindustries.com](http://www.championindustries.com)

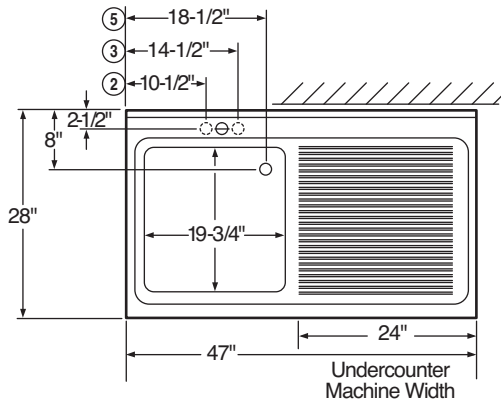
# 1-RDT

Rack Dish Table  
For Undercounter Dishwashing Machines

**Champion**<sup>®</sup>  
The Dishwashing Machine Specialists

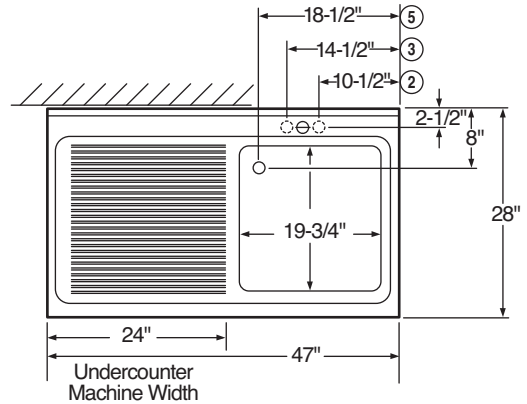
Shipping weight crated: **100 lbs.**  
Shipping weight with shelf: **120 lbs.**

Dimensions shown in inches

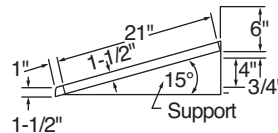


**Plan View  
Left Hand Sink**

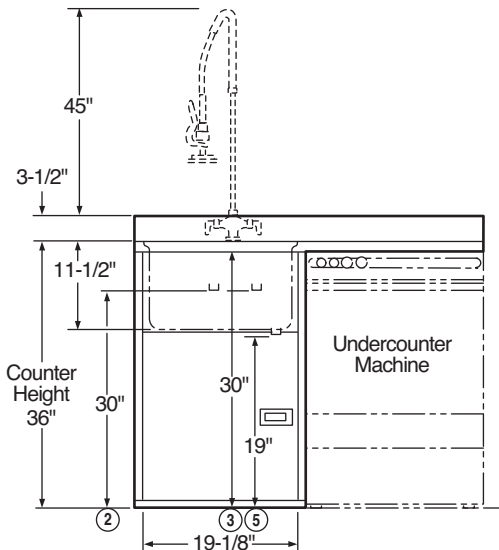
**Note:** The top of the table is pre-drilled with one hole for a single-mount style pre-rinse spray base as shown to the right.



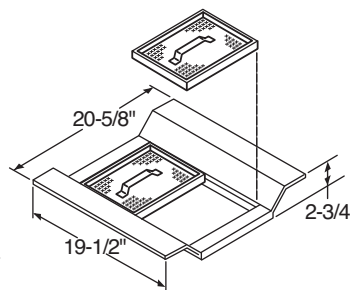
**Plan View  
Right Hand Sink**



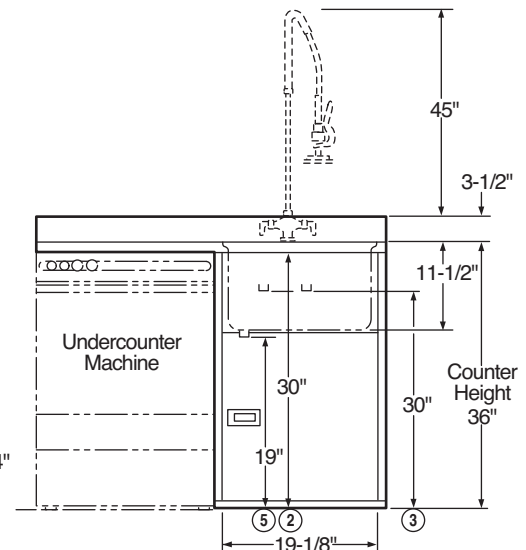
**Wall-Mounted  
Overshelf**



**Front View  
Left Hand Sink**



**Removable Scrap  
Screen Holder**



**Front View  
Right Hand Sink**

## SPECIFICATIONS

- Heavy-gauge Type 304 stainless steel.
- Sink drain is offset to allow more efficient use of cabinet storage space.
- Cabinet is equipped with leveling feet to compensate for uneven floors.
- Specify right hand or left hand sink.

## Utilities

- |          |   |
|----------|---|
| <b>2</b> | <b>Hot Water:</b><br>1/2" NPT hot water.    |
| <b>3</b> | <b>Cold Water:</b><br>1/2" NPT cold water.  |
| <b>5</b> | <b>Drain:</b><br>1-1/2" ID hose connection. |