



*The Signature of Quality*

**FEDERAL INDUSTRIES**

A Standex Company  
215 Federal Avenue  
Belleville, WI 53508-9201

Phone: 800-356-4206  
Fax: 608-424-3234  
Email: geninfo@federalind.com  
Website: www.federalind.com

Project Name: \_\_\_\_\_

Item #: \_\_\_\_\_

Model #: \_\_\_\_\_ Qty: \_\_\_\_\_

Approval: \_\_\_\_\_

AIA#

SIS#

**ELEMENTS REFRIGERATED SELF-SERVE LOW PROFILE MERCHANDISER**

Designed with impulse sales in mind. Get maximum return with presentation and value in mind without sacrificing performance.



MODEL	DIMENSIONS ( Includes End Panels )
<input type="checkbox"/> ELPRSS-3	34.6 x 34 x 46 (in) 879 x 864 x 1168 (mm)
<input type="checkbox"/> ELPRSS-4	46.6 x 34 x 46 (in) 1184 x 864 x 1168 (mm)
<input type="checkbox"/> ELPRSS-6	70.6 x 34 x 46 (in) 1793 x 864 x 1168 (mm)

**STANDARD FEATURES**

**Model Features**

- Steel base construction.
- Textured black powder coated exterior and interior. Galvanized steel back.
- Black steel display deck and black interior.
- Acrylic end panels.
- Easily cleaned, rustproof, insulated evaporator coil compartment.
- Insulated with high-density foam.
- Rear access to the refrigeration system for quick easy service.
- Easily accessible light switch, power switch, and adjustable electronic control.
- Energy-saving night curtain.
- Adjustable Leg Levelers
- Cord and plug.

**Refrigeration**

- On-demand PTC condensate evaporator provided for a totally self-contained system. A condensate pump is required on the ELPRSS-6.
- Electronic temperature control maintains 38° (3.3°C) to 40° F (4.4°C) with on-demand defrost.
- R449a Refrigerant.
- Thermometer.

**Shelving**

- One tier adjustable solid black metal shelf.

**Lighting**

- Horizontal 3500K LED top light.
- DLC Certified, IP66 rated **Agency**

**Approvals**

- UL Safety and UL Sanitation Listed.
- DOE 2017 Compliant.



**WARRANTY\***  
One year Parts and Labor  
2nd thru 5th year part  
only service compressor  
(U.S.A and Canada)

Note: Information is subject to change at any time.  
Visit [www.federalind.com](http://www.federalind.com) for the most current specs.

AIA#

# ELEMENTS REFRIGERATED SELF-SERVE LOW PROFILE MERCHANDISER

SIS#

## Product Specifications

Intended Environment: Type I - Designed to operate in maximum ambient conditions of 75°F (24°C) and 55% relative humidity unless noted otherwise in system information below.

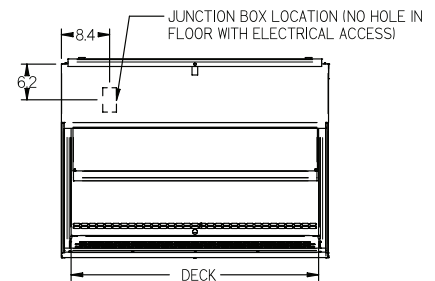
Zone	Intended Product To Be Displayed	Avg Prod Temp °F/°C
All	Packaged Refrigerated Products	38°F / (3.3°C)

DIMENSION: xx"/(mm)

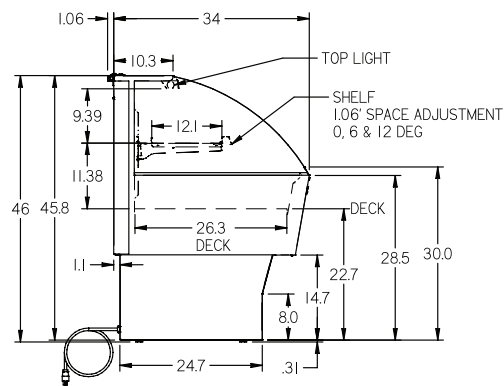
DIMENSION TOLERANCE +/- 0.19 (4.8)

- Cord and Plug (NEMA 5-20P on the 3 & 4 models, NEMA 6-15P on the ELPRSS 6)

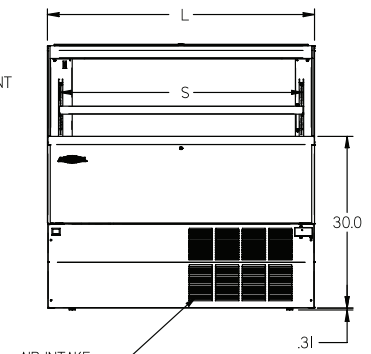
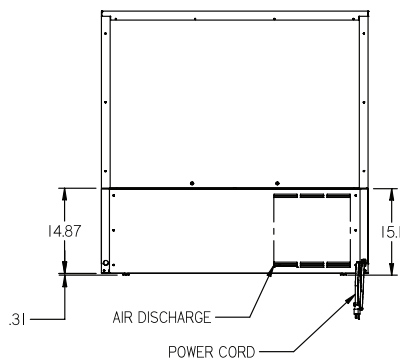
PLAN VIEW



SIDE VIEW



REAR VIEW



FRONT VIEW

MODEL	DIMENSIONS				SHIPPING WHT		SHELF AREA ( SQUARE FEET )	SELF-CONTAINED Permanently Connected	NEMA PLUG
	L	D	H1	UNITS	LBS	KILO			
ELPRSS3	34.6	34	46	in.	450	204	8	120/60/1 - 1/3 HP - 16 AMPS	NEMA 5-20p
	879	864	1168	mm.					
ELPRSS4	46.6	34	46	in.	525	238	11	120/60/1 - 1/3 HP - 16 AMPS	NEMA 5-20p
	1184	864	1168	mm.					
ELPRSS6	70.6	34	46	in.	680	308	17	230/60/1 - 13/4 HP - 10 AMPS	NEMA 5-15p
	1793	864	1168	mm.					

- Case temperature will vary if the air curtain is disrupted.
- The rear of the unit needs to be 6" from a wall.
- Electrical Requirement - The minimum circuit ampacity and maximum fuse size is 20 amps.
- Refrigerated cases are designed to operate in a maximum of 75°F (24°C) ambient and 55% relative humidity.
- Due to continuing engineering improvements, specifications are subject to change without notice.
- If a GFCI circuit is required, a GFCI Breaker must be used instead of a GFCI Receptical.



The Signature of Quality®

**FEDERAL INDUSTRIES**

A Standex Company

215 Federal Avenue, Belleville, Wisconsin 53508-9201

Phone: 800-356-4206

Fax: 608-424-3234

Email: Geninfo@Federalind.com

Website: Federalind.com