



a Standex company

Item _____

**COUNTER TOP SIGNATURE SERIES
REFRIG. SELF-SERVE REAR MOUNT
MODEL CRR3628SS / CRR4828SS
REFRIG. SELF-SERVE BOTTOM MOUNT
MODEL CRB3628SS / CRB4828SS**



The Signature Series counter top self-serve merchandiser combines attractive curved glass styling and merchandising flexibility. Designed for continuous case line-ups. Cases are available in lengths of 3' and 4'.

STANDARD FEATURES

- Curved glass styling.
- Adjustable black metal shelf. Adjustable up and down and can also be tilted in two positions.
- Tempered front glass with self-serve cut out for customer access. Acrylic end panels.
- Shielded top light and shelf light.
- Removable sliding rear doors, shelf light, shelf supports, and shelf.
- Thermometer.
- Removable, scratch-resistant, rustproof black display deck.
- Easily accessible light switch and adjustable temperature control.
- Average case temperature of 38° F to 40° F is maintained.
- Black painted metal and stainless construction. Black trim.
- Designed for continuous line-ups.
- 134A Refrigerant.
- Cord and plug (six foot).
- Installation Flexibility
 - Set directly on counter with condensing component mounted on rear.
 - Recessed 3" in the counter with condensing component mounted underneath.
- UL Safety and UL Sanitation Listed.

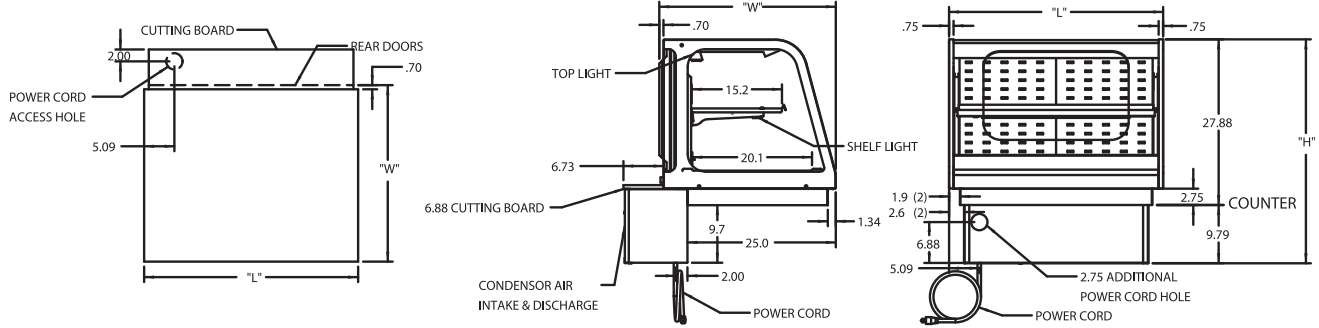
SIGNATURE SERIES

REFRIGERATED SELF-SERVE COUNTER TOP MERCHANDISER

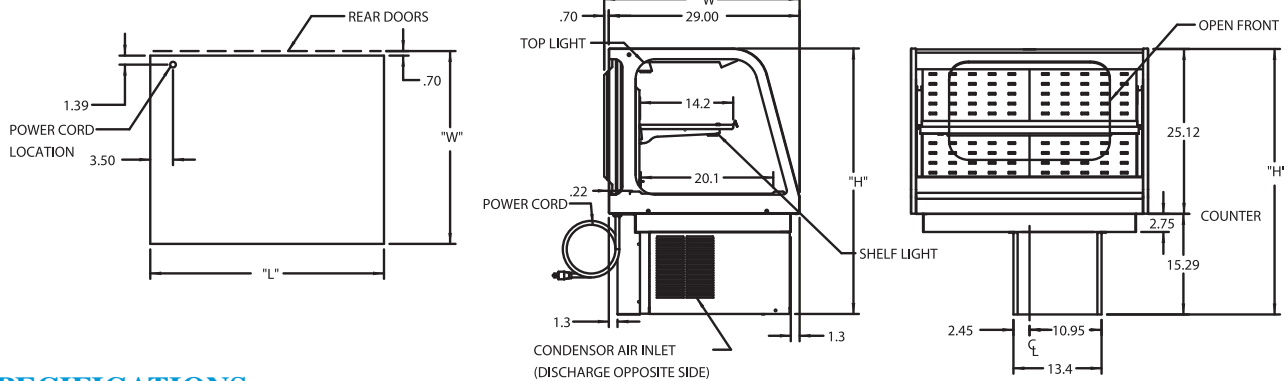
OPTIONAL ACCESSORIES:

- * Glass Shelf
- * Reflective Ends
- * Reflective Rear Doors
- * Remote Condensing Unit

REAR MOUNT



BOTTOM MOUNT



SPECIFICATIONS:

Model	Dimensions*			Shipping Weight (lbs)	Self-Contained 120/60/1	Remote 120/60/1Rear Mount
	L	W	H			
Rear Mount						
CRR3628SS	36.0"	29.7"	37.7"	430	8.1 AMPS	1.5 AMPS
CRR4828SS	48.0"	29.7"	37.7"	508	8.3 AMPS	1.5 AMPS
Bottom Mount						
CRB3628SS	36.0"	29.7"	40.5"	430	8.1 AMPS	3.6 AMPS
CRB4828SS	48.0"	29.7"	40.5"	508	8.3 AMPS	3.8 AMPS

* Height above counter.

- Refrigerated cases are designed to operate in an environment of 75° ambient and 55% relative humidity.
- Due to continuing engineering improvements, specifications are subject to change without notice.



Look to Federal for Innovative Merchandising



a Standex company

Federal Industries
A Standex Company
215 Federal Avenue
Belleville WI 53508-0290
Phone: 800-356-4206
Fax: 608-424-3234
Email: geninfo@federalind.com
Web Site: www.federalind.com