



Profit from the Eagle Advantage®

Specification Sheet

Short Form Specifications

Eagle 1800 Series Cocktail Workstation, model _____. Top, front, backsplash, and ice bin to be heavy gauge type 304 stainless steel. Ice bin to be deep-drawn seamless design, 8" deep, fully insulated, with 1½" drain. Unit furnished with stainless steel speed rail. Work board section to have 1½" drain in top. 1½" galvanized tubular legs with welded crossbracing and adjustable bullet feet.

Eagle 1800 Series Cocktail Workstation with Sealed-In Cold Plate, model _____. Top, front, backsplash, and ice bin to be heavy gauge type 304 stainless steel. Ice bin to be deep-drawn seamless design, 8" deep, fully insulated, with sealed-in 7-circuit cold plate and 1½" drain. 1½" O.D. galvanized tubular legs with welded crossbracing and adjustable bullet feet.



#CWS4-18R cocktail workstation

Options / Accessories

- Stainless steel leg kits

EAGLE GROUP

100 Industrial Boulevard, Clayton, DE 19938-8903 USA
Phone: 302-653-3000 • Fax: 302-653-2065
www.eaglegrp.com

Foodservice Division: Phone 800-441-8440

MHC/Retail Display Divisions: Phone 800-637-5100

For custom configuration or fabrication needs, contact our SpecFAB® Division.
Phone: 302-653-3000 • Fax: 302-653-3091 • e-mail: specfab@eaglegrp.com

Item No.: _____
Project No.: _____
S.I.S. No.: _____

1800 Series Cocktail Workstations

MODELS:

- CWS4-18R
- CWS4-18L
- CWS5-18R
- CWS5-18L
- CWS4-18R-7
- CWS4-18L-7
- CWS5-18R-7
- CWS5-18L-7

Design and Construction Features

- New bullnose front edge.
- Units are modular, providing for custom configurations using standard components.
- All 304 Series stainless steel construction.
- Fabricated ice bins are available in 70 lb. (32 kg.) ice capacity. Ice bins are 8" (203mm) deep.
- Ice bin can be located either on left or right.
- 24" (610mm) stainless steel speed rail.
- End panels are stainless steel.
- Leg fixtures are welded in place.
- Highly polished finish.
- 1½" (38mm) NPT drain with 1½" x 4" (38 x 102mm) tailpiece.
- Body is all-welded type 304 stainless steel construction.



Spec sheets available for viewing, printing or downloading from our online literature library at www.eaglegrp.com

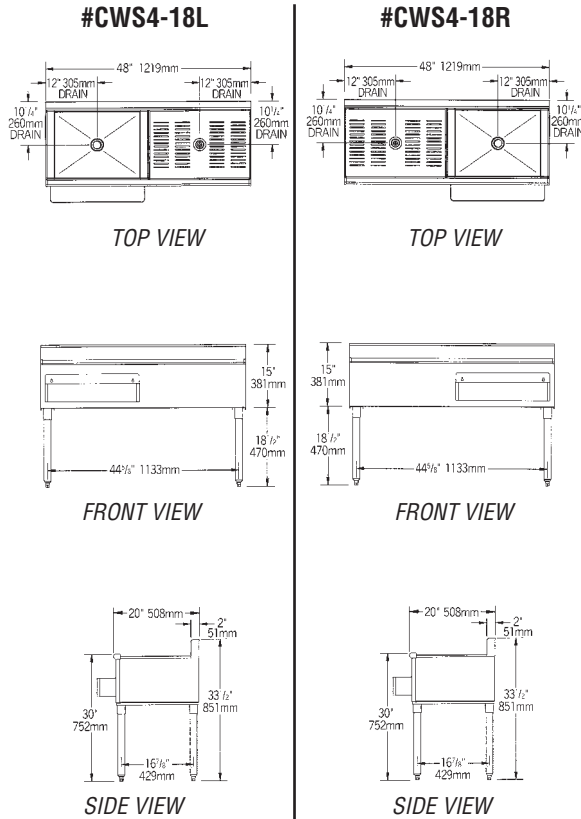


Profit from the Eagle Advantage®

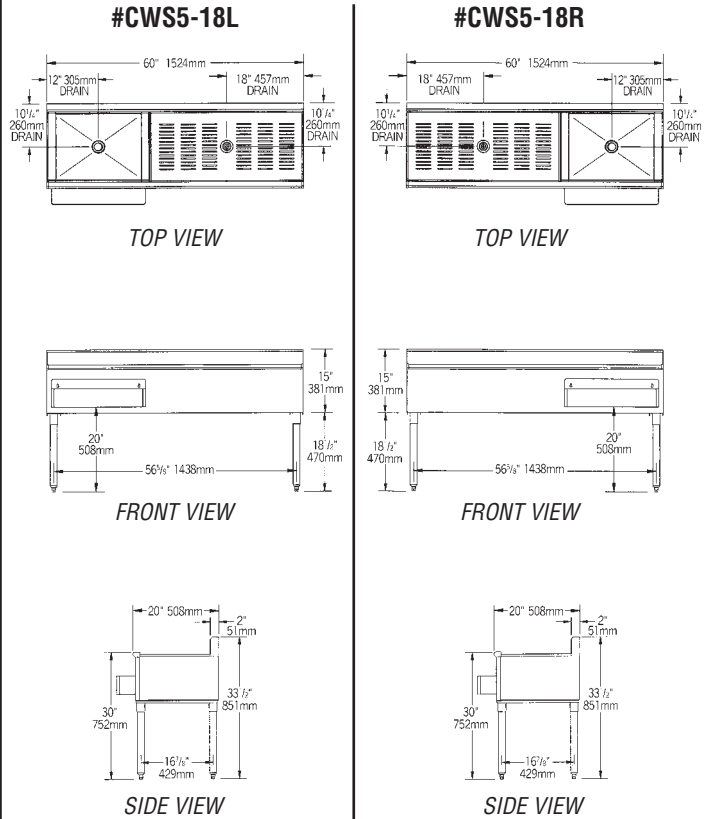
Item No.: _____
 Project No.: _____
 S.I.S. No.: _____

1800 Series Cocktail Workstations

4' (1219mm) Models



5' (1524mm) Models



model #	width		length		weight	
	in.	mm	in.	mm	lbs.	kg
CWS4-18R	20"	508	48"	1219	63	28.6
CWS4-18L	20"	508	48"	1219	63	28.6
UNITS WITH COLD PLATE						
CWS4-18R-7	20"	508	48"	1219	63	28.6
CWS4-18L-7	20"	508	48"	1219	63	28.6

model #	width		length		weight	
	in.	mm	in.	mm	lbs.	kg
CWS5-18R	20"	508	60"	1524	73	33.1
CWS5-18L	20"	508	60"	1524	73	33.1
UNITS WITH COLD PLATE						
CWS5-18R-7	20"	508	60"	1524	73	33.1
CWS5-18L-7	20"	508	60"	1524	73	33.1

Optional Stainless Steel Leg Kits

add suffix #	description
-SL	stainless steel leg assemblies
-SLF	stainless steel leg assemblies & stainless steel feet
-SLG	stainless steel leg assemblies & stainless steel gussets
-SLGF	stainless steel leg assemblies, stainless steel feet & gussets

EAGLE GROUP
 100 Industrial Boulevard, Clayton, DE 19938-8903 USA
 Phone: 302-653-3000 • Fax: 302-653-2065
 www.eaglegrp.com

Foodservice Division: Phone 800-441-8440
 MHC/Retail Display Divisions: Phone 800-637-5100

Printed in U.S.A.
 ©2009 by Eagle Group
 Rev. 08/09

Spec sheets available for viewing, printing or downloading from our online literature library at www.eaglegrp.com

Although every attempt has been made to ensure the accuracy of the information provided, we cannot be held responsible for typographical or printing errors. Information and specifications are subject to change without notice. Please confirm at time of order.