



T&S BRASS AND BRONZE WORKS, INC.

2 Saddleback Cove / P.O. Box 1088
Travelers Rest, SC 29690



REG. #A2601
ISO #9001

Model No.

B-0133-ADF12-B

Item No.

Travelers Rest, SC: 800-476-4103 • Simi Valley, CA: 800-423-0150 • Fax: 864-834-3518 • www.tsbrass.com

This Space for Architect/Engineer Approval

Job Name _____ Date _____

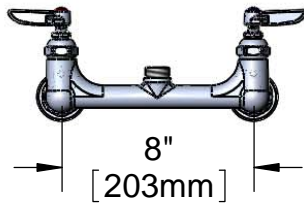
Model Specified _____ Quantity _____

Customer/Wholesaler _____

Contractor _____

Architect/Engineer _____

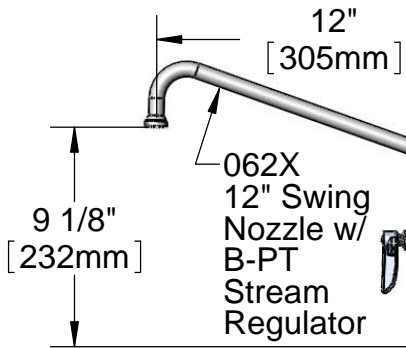
EPAct2005 COMPLIANT



Adjustable from
7 3/4" to 8 1/4"
[197mm to 210mm]

Flex Hose, Overhead
Spring, Wall Bracket
& Spray Valve
Not Shown for Clarity

004R
Finger Hook



062X
12" Swing
Nozzle w/
B-PT
Stream
Regulator

B-0044-H
Stainless Steel
Flex Hose
w/ Polyurethane
Inner Hose

000369-40
3/8" NPT x 18"
Riser

B-0107
Spray Valve
1.42 GPM

14 1/16"
[357mm]

B-0109-01
6" Wall
Bracket

2 5/16"
[59mm]

8 1/8"
[206mm]

B-0155-LNEZ
Add-On Faucet

2 3/8"
[61mm]

4 7/16"
[112mm]

Ø 2"
[51mm]
Flanges w/
1/2" NPT
Female Inlets

37 11/16"
[957mm]

Product Specifications:

EasyInstall Pre-Rinse Wall Mount Mixing Faucet, Eterna Cartridges w/ Spring Checks, B-0044-H Stainless Steel Flex Hose, B-0107 Spray Valve, 6" Wall Bracket & Add-On Faucet w/ 12" Swing Nozzle

Drawn

JRM

Checked

DMH

Approved

JHB

Scale:

1:8

Date:

07/14/11



T&S BRASS AND BRONZE WORKS, INC.

2 Saddleback Cove / P.O. Box 1088
Travelers Rest, SC 29690



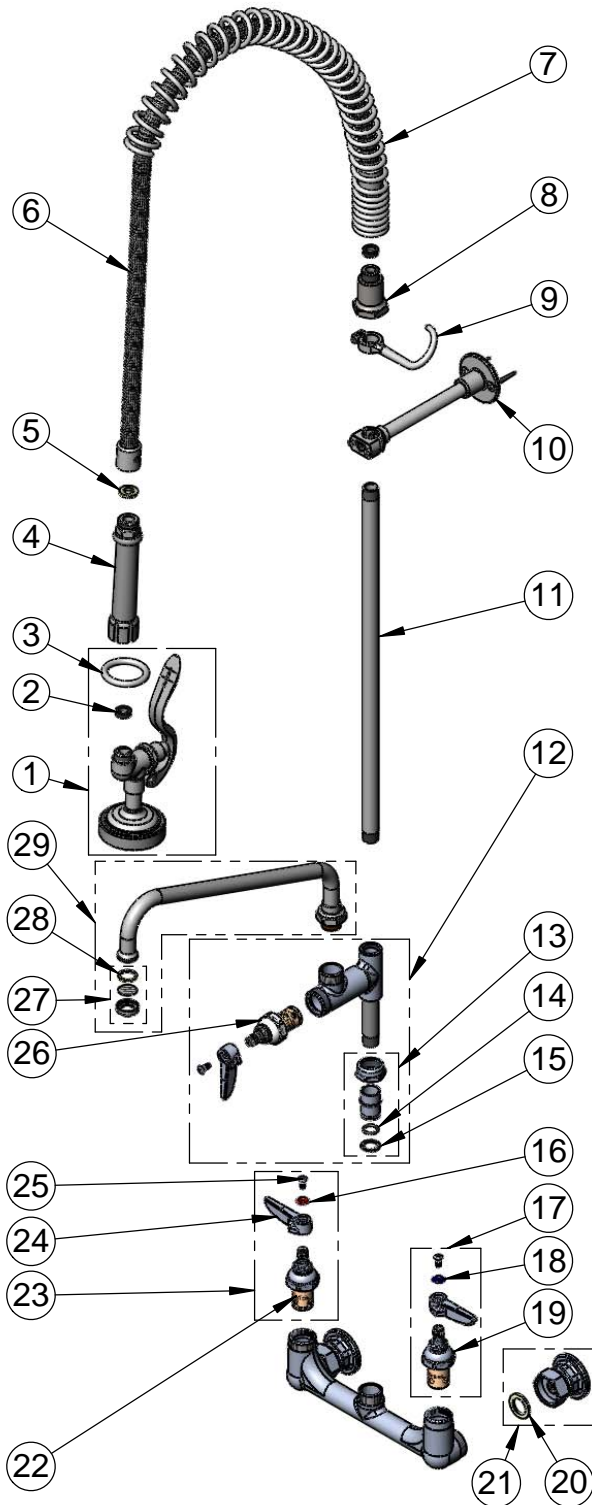
REG. #A2601
ISO #9001

Model No.

B-0133-ADF12-B

Item No.

Travelers Rest, SC: 800-476-4103 • Simi Valley, CA: 800-423-0150 • Fax: 864-834-3518 • www.tsbrass.com



ITEM NO.	SALES NO.	DESCRIPTION
1	B-0107	Spray Valve Assembly
2	010476-45	#27 Washer
3	000907-45	Spray Valve Hold Down Ring
4	002987-40	Grip Handle Assembly
5	001014-45	Washer, B-0100 Hose Barrel
6	B-0044-H2A	68" SS Flex Hose w/o Handle
7	000888-45	EasyInstall Overhead Spring
8	000821-40	Spring Body
9	004R	Finger Hook Assembly
10	B-0109-01	6" Wall Bracket
11	000369-40	3/8" NPT x 18" Long Riser
12	B-0155-LNEZ	EasyInstall Add-On Faucet Less Nozzle
13	EZ-K	EasyInstall Retro Fit Kit, Nut, Bushing O-Ring & Lock Washer
14	001065-45	EasyInstall O-Ring
15	014200-45	Star Washer, Anti-Rotation
16	001661-45	Red Index-HW
17	002711-40	Cold Eterna Cartridge w/ Spring Check, Handle, Index & Screw
18	001660-45	Blue Index-CW
19	012442-40	Cold Eterna Cartridge w/ Spring Check
20	001019-45	Coupling Nut Washer
21	00AA	Coupling Flange Assembly
22	012443-40	Hot Eterna Cartridge w/ Spring Check
23	002712-40	Hot Eterna Cartridge w/ Spring Check, Handle, Index & Screw
24	001638-45	Lever Handle
25	000922-45	Lever Handle Screw
26	007947-40	Quarter Turn Hot Eterna Cartridge
27	B-PT	Stream Regulator Outlet
28	001048-45	Nozzle Tip Washer
29	062X	12" Swing Nozzle Assembly

Product Specifications:

EasyInstall Pre-Rinse Wall Mount Mixing Faucet, Eterna Cartridges w/ Spring Checks, B-0044-H Stainless Steel Flex Hose, B-0107 Spray Valve, 6" Wall Bracket & Add-On Faucet w/ 12" Swing Nozzle

Drawn	Checked	Approved
JRM	DMH	JHB
Scale:		Date:
NTS		07/14/11