

T&S BRASS AND BRONZE WORKS, INC.
 2 SADDLEBACK COVE / P.O. BOX 1088 / TRAVELERS REST, SC 29690
 PHONE 800-476-4103 - FAX 864- 834-3518



Model No.

B-0133-A-08 SERIES

**RELIABILITY
BUILT IN**

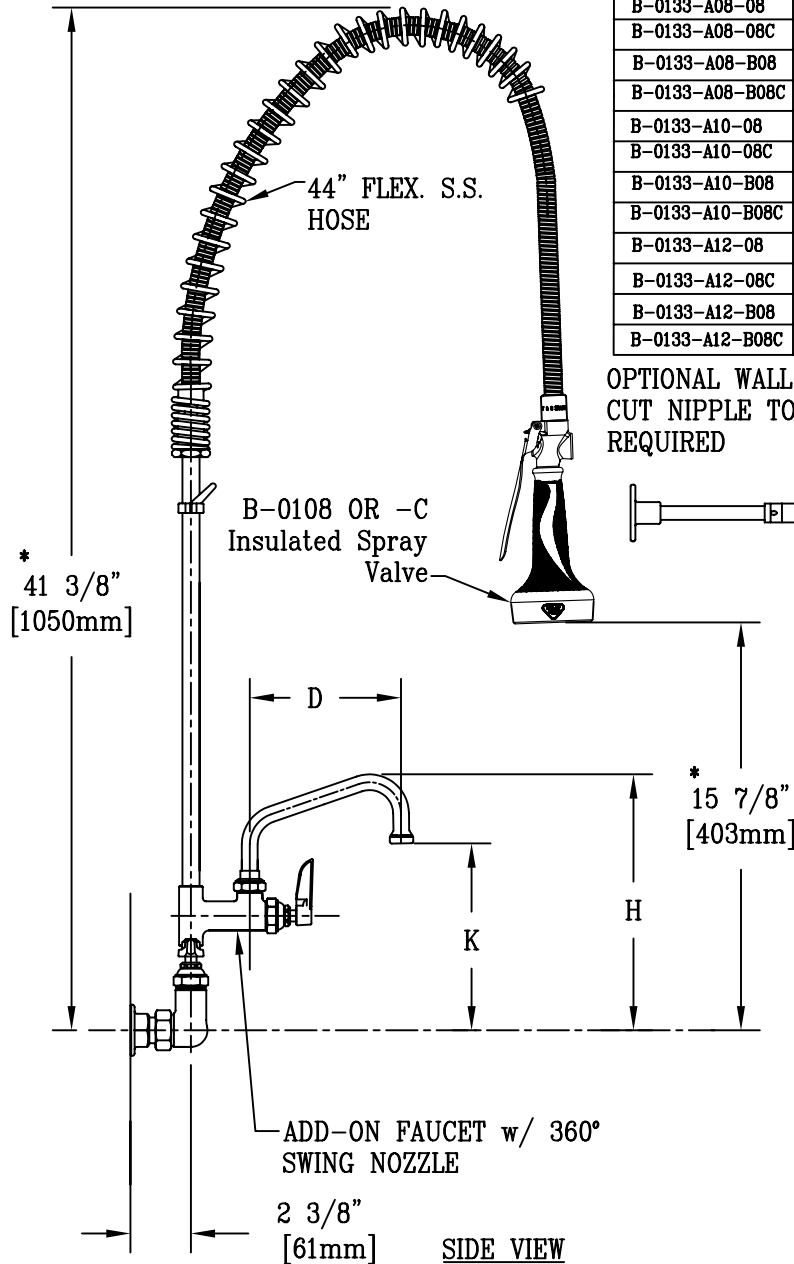
Job Name:

Architect/Engineer Approval:

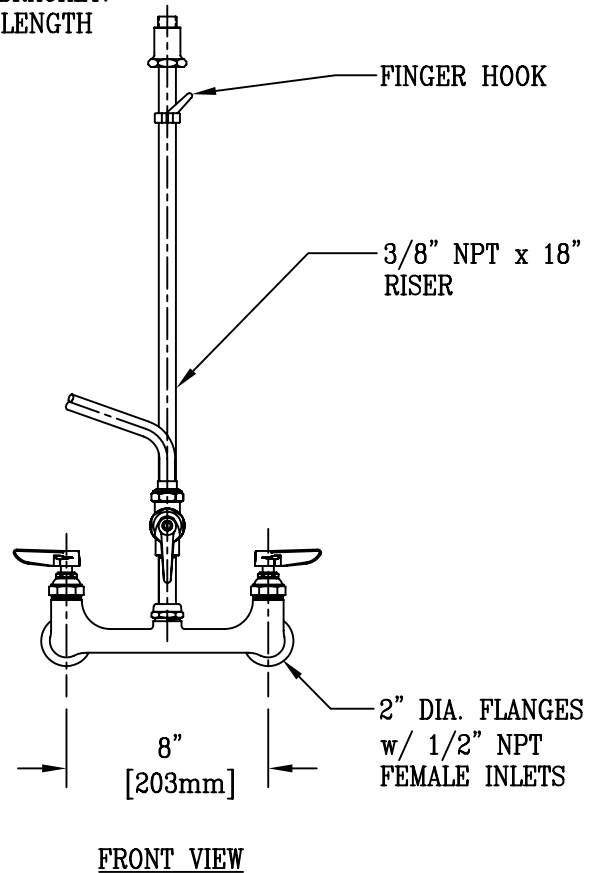
Notes:

EPAct2005 COMPLIANT

| MODEL | D | K | H | WALL BRACKET | FLOW | |
|-----------------|-----|----------|----------|--------------|-----------|---------|
| | | | | | PATTERN | RATE |
| B-0133-A06-08 | 6" | 7 7/16" | 10 1/8" | NO | SHOWER | 1.48GPM |
| B-0133-A06-08C | 6" | 7 7/16" | 10 1/8" | NO | FAN SPRAY | 1.20GPM |
| B-0133-A06-B08 | 6" | 7 7/16" | 10 1/8" | YES | SHOWER | 1.48GPM |
| B-0133-A06-B08C | 6" | 7 7/16" | 10 1/8" | YES | FAN SPRAY | 1.20GPM |
| B-0133-A08-08 | 8" | 8" | 10 3/4" | NO | SHOWER | 1.48GPM |
| B-0133-A08-08C | 8" | 8" | 10 3/4" | NO | FAN SPRAY | 1.20GPM |
| B-0133-A08-B08 | 8" | 8" | 10 3/4" | YES | SHOWER | 1.48GPM |
| B-0133-A08-B08C | 8" | 8" | 10 3/4" | YES | FAN SPRAY | 1.20GPM |
| B-0133-A10-08 | 10" | 8 11/16" | 11 7/16" | NO | SHOWER | 1.48GPM |
| B-0133-A10-08C | 10" | 8 11/16" | 11 7/16" | NO | FAN SPRAY | 1.20GPM |
| B-0133-A10-B08 | 10" | 8 11/16" | 11 7/16" | YES | SHOWER | 1.48GPM |
| B-0133-A10-B08C | 10" | 8 11/16" | 11 7/16" | YES | FAN SPRAY | 1.20GPM |
| B-0133-A12-08 | 12" | 8 13/16" | 11 9/16" | NO | SHOWER | 1.48GPM |
| B-0133-A12-08C | 12" | 8 13/16" | 11 9/16" | NO | FAN SPRAY | 1.20GPM |
| B-0133-A12-B08 | 12" | 8 13/16" | 11 9/16" | YES | SHOWER | 1.48GPM |
| B-0133-A12-B08C | 12" | 8 13/16" | 11 9/16" | YES | FAN SPRAY | 1.20GPM |



OPTIONAL WALL BRACKET:
CUT NIPPLE TO LENGTH
REQUIRED



* DIMENSIONS MAY VARY ± 1/2" ON EACH INSTALLATION

Product Description:
 EASY INSTALL PRE-RINSE UNIT:
 8" c/c WALL MOUNT BASE FAUCET, 1/2" NPT FEMALE INLETS, 18" RISER, BRACKET(OPTIONAL)
 ADD ON FCT., 6"-12" SWING NOZZLE, SUPPORT SPRING, 44" FLEX HOSE, B-0108(-C) SPRAY

| | | |
|-----------------|-----------------|-----------------|
| Drawn: JRM | Checked GEF | Scale: 1 : 8 |
| Approved JHB | Date: 8/3/06 | |