



# T&S BRASS AND BRONZE WORKS, INC.

2 Saddleback Cove / P.O. Box 1088  
Travelers Rest, SC 29690



REG. #A2601  
ISO #9001

Model No.  
**B-0665-BSTR**

Item No.

Travelers Rest, SC: 800-476-4103 Simi Valley, CA: 800-423-0150 Fax: 864-834-3518 www.tsbrass.com

This Space for Architect/Engineer Approval

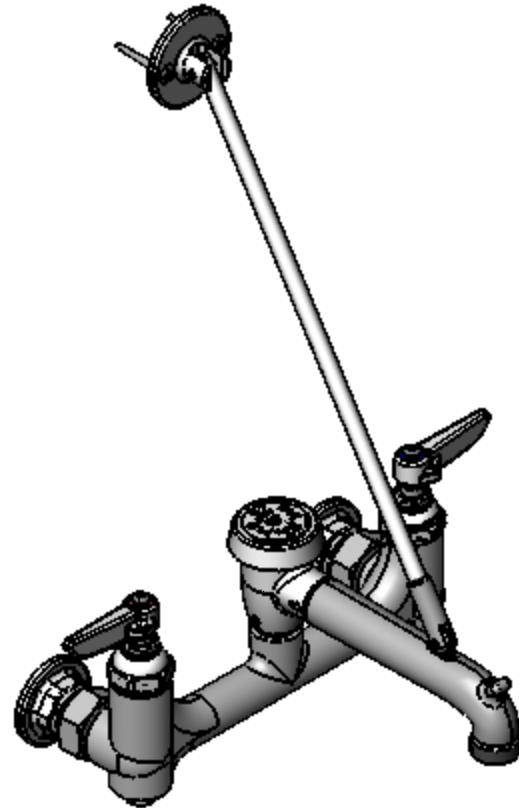
Job Name \_\_\_\_\_ Date \_\_\_\_\_

Model Specified \_\_\_\_\_ Quantity \_\_\_\_\_

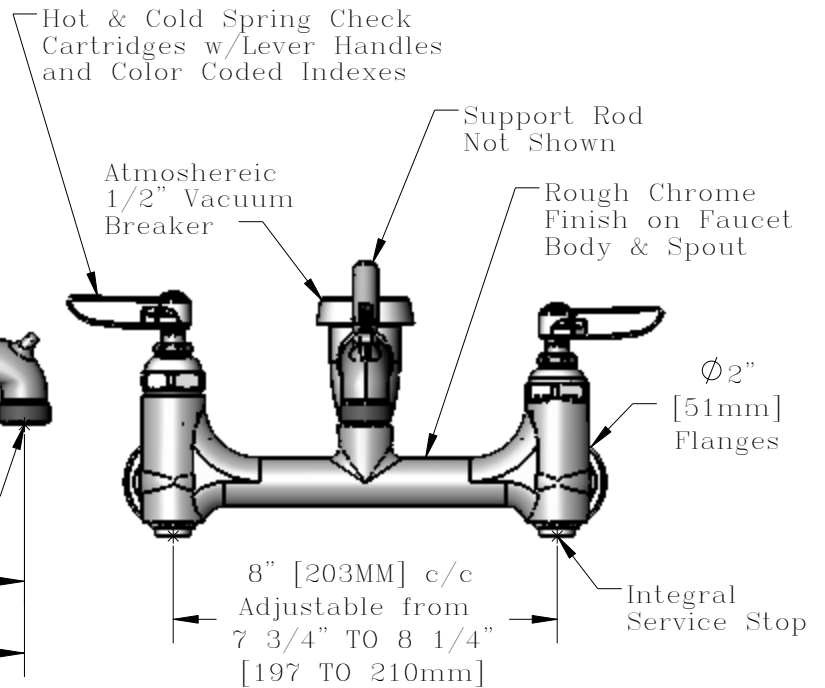
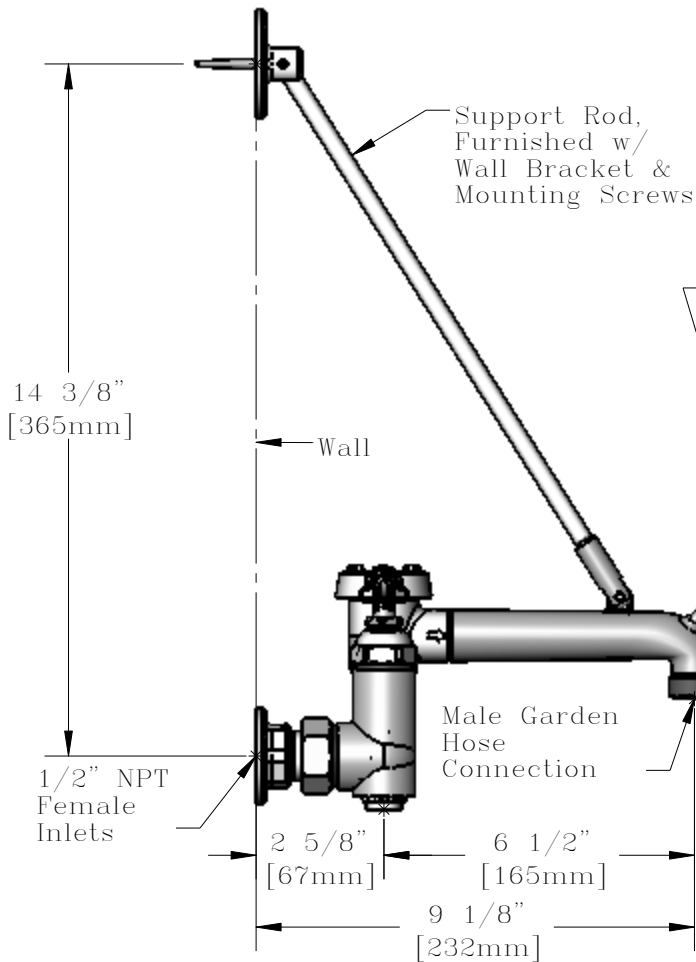
Customer/Wholesaler \_\_\_\_\_

Contractor \_\_\_\_\_

Architect/Engineer \_\_\_\_\_



- Variations or Applicable Options:
- WH6 6" Wrist Action Handles
  - WH4 4" Wrist Action Handles
  - 175F 4-Arm Kitchen Handles



Product Specifications:  
**Service Sink, Inlet Stops, Spring Check Cartridges, Lever Handles, Rough Chrome**

Drawn DHL	Checked GEF	Approved JHB
Scale: 1:4		Date: 06/02/06



**T&S BRASS AND BRONZE WORKS, INC.**

2 Saddleback Cove / P.O. Box 1088  
Travelers Rest, SC 29690



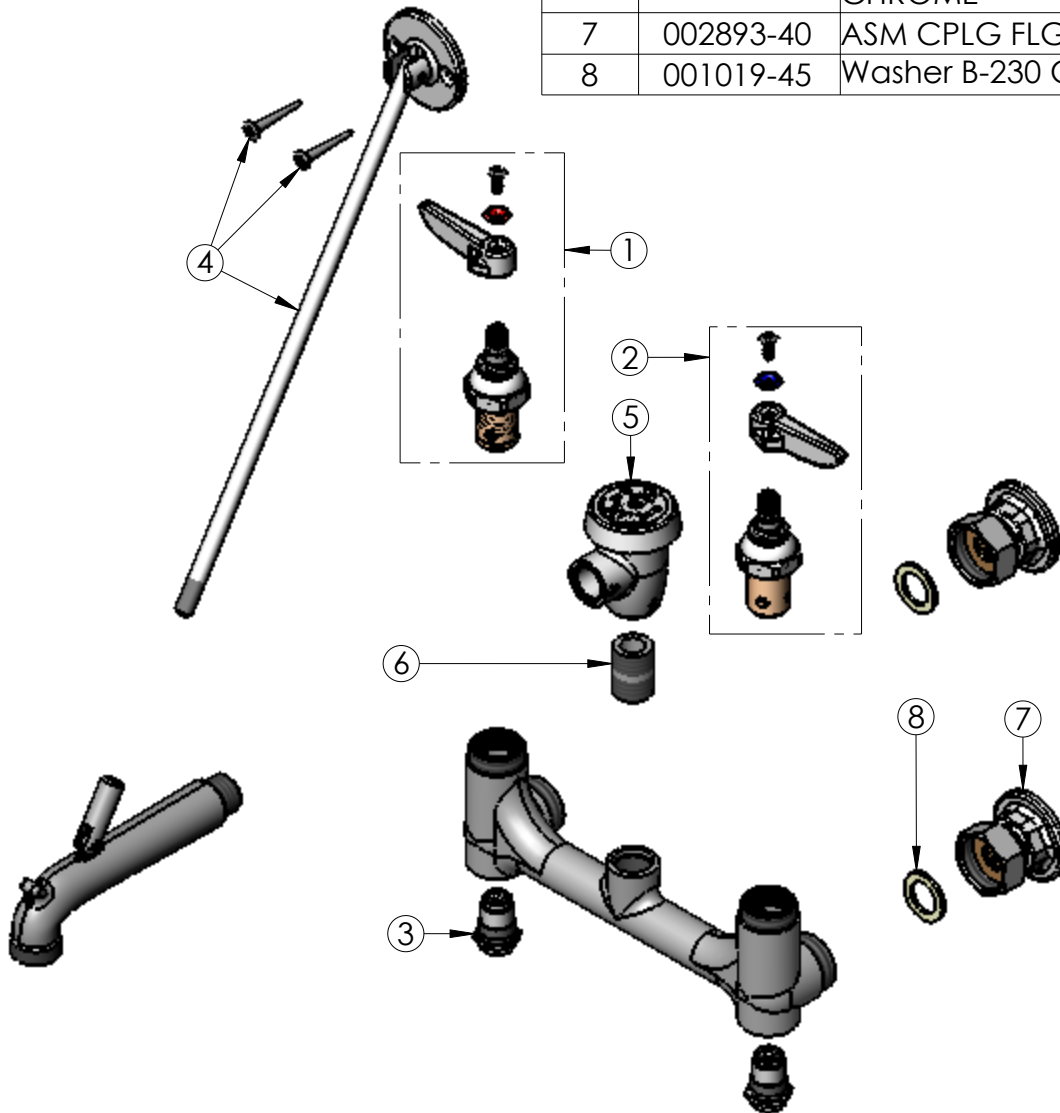
REG. #A2601  
ISO #9001

Model No.  
**B-0665-BSTR**

Item No.

Travelers Rest, SC: 800-476-4103 Simi Valley, CA: 800-423-0150 Fax: 864-834-3518 www.tsbrass.com

ITEM	SALES NO.	DESCRIPTION
1	002712-40	ETRNA SPDL ASM HOT
2	002711-40	ETRNA SPDL ASM COLD
3	163A	BST ASM 163A
4	009546-40	Upper Support Rod Asm.
5	B-0969	1/2 Vacuum Breaker
6	002534-25	NPL CLS 1/2 HWL - ROUGH CHROME
7	002893-40	ASM CPLG FLG
8	001019-45	Washer B-230 Coupling Nut



Product Specifications:

Service Sink, Inlet Stops, Spring Check Cartridges,  
Lever Handles, Rough Chrome

Drawn DHL	Checked GEF	Approved JHB
Scale: 1:4		Date: 06/02/06