



**Project:**

**Item Number:**

**Quantity:**

Modular Drop-In: Two Well Hot

The Vollrath Company, L.L.C.

**MODULAR DROP-IN: TWO WELL HOT**



*Modular Drop-In: Two Well Hot*

**DESCRIPTION**

The modular drop-in is designed for top-mount installation and does not require hard-wiring. The drop-in comes complete with a 6-ft. (182.8 cm) power cord with plug and a 4-ft. (121.9 cm) control cord for remote installation.

Full-perimeter drip-edge contains spills and condensation within stainless steel countertop area of the drop-in. Drip-edge adds additional strength to the flange area.

Drop-in can operate wet or dry, however, moist operation is recommended for even heating of the food product. Meets NSF4 performance standards when using moist heat.

High-density glass-fiber insulation allows zero-clearance installation and use of 625W elements for lower energy consumption and reduced costs. Also available with 1000W elements.

Stainless steel wells are 6 $\frac{3}{8}$ " (16.19 cm) deep to allow use of full-size and fractional pans up to 6" (15.24 cm) deep while still providing moist heat. Adaptor bars are recommended when using fractional pans.

**Agency Certifications**



MODELS	1000W Per Well	625W Per Well	Drain	Auto-Fill
120V Infinite Control	3639901 3639951 3639961	36399 3639950 3639960	Standard Manifold Manifold	- - Yes
120V Thermostatic Control	3639911 3639971 3639981	3639910 3639970 3639980	Standard Manifold Manifold	- - Yes
208V Infinite Control		36400 3640050 3640060	Standard Manifold Manifold	- - Yes
208V Thermostatic Control		3640010 3640070 3640080	Standard Manifold Manifold	- - Yes
208-240V Thermostatic Control	3640001 3640051 3640061		Standard Manifold Manifold	- - Yes
208-240V Thermostatic Control	3640011 3640071 3640081		Standard Manifold Manifold	- - Yes
240V Infinite Control		36472 3647250 3647260	Standard Manifold Manifold	- - Yes
240V Thermostatic Control		3647210 3647270 3647280	Standard Manifold Manifold	- - Yes

**FEATURES**

- Top is 18-gauge stainless steel, 18-8 Type 304, with  $\frac{3}{8}$ " (9.52 mm) overhang on all sides and die-stamped with full-perimeter drip-edge, and 19 $\frac{7}{8}$ " x 11 $\frac{7}{8}$ " (50.48 x 30.16 cm) openings.
- Breaker gasket included for installation under drip-edge.
- Flat work surface around opening.
- Deep drawn well is 20-gauge 18-8 stainless steel, 6 $\frac{3}{8}$ " (16.19 cm) deep.
- Standard 1000W or 625W heating element.
- Infinite or thermostatic control.
- Power indicator light.
- Standard drain is  $\frac{1}{2}$ " (1.27 cm) stainless steel fitting welded to pan with ball valve shutoff below exterior housing.
- Manifold drain option is 1" (2.54 cm) copper tubing and retains individual well shut-off and adds manifold shutoff.
- Unit insulated on sides, between wells, and below element assembly with high-density glass fiber insulation.
- Exterior housing is 20-gauge galvanized steel.
- Drop-in is supplied with stainless steel control panel connected to bottom of unit for shipping.
- Control panel may remain on unit or be remote mounted.
- Control wires contained in flexible rubber cord.
- Unit comes with cord and plug and does not require hard-wiring installation.
- Positioning clips provided to center drop-in within cutout.
- Standard mounting clips adjustable for up to 3" (7.62 cm) thick counters.
- Full one-year parts and labor warranty.
- Sheet pan adapter available. Item No. 19186.

<b>Approvals</b>	<b>Date:</b>



Setting the Standard™

www.vollrathco.com

The Vollrath Company, L.L.C.  
1236 North 18th Street  
Sheboygan, WI 53082-0611  
U.S.A.  
Main Tel: 800.624.2051  
Service Tel: 800.628.0832  
FAX: 800.752.5620

Vollrath of Canada, Co.  
Tel: 800.695.8560  
FAX: 800.752.5620

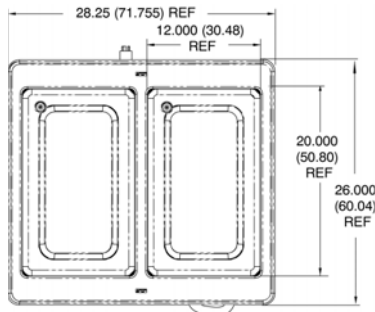
# MODULAR DROP-IN: TWO WELL HOT

## AUTO-FILL OPTION

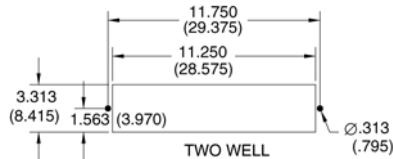
Field-installed option that efficiently maintains a constant water level. Eliminates the need to monitor wells and add water, reducing operating and labor costs. Attaches easily to manifold drain assembly using simple tools. The check valve/siphon prevents cross contamination of drain and potable water lines.

## DIMENSIONS

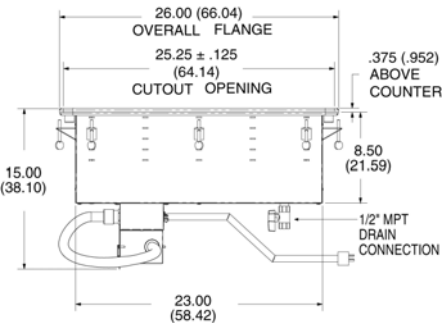
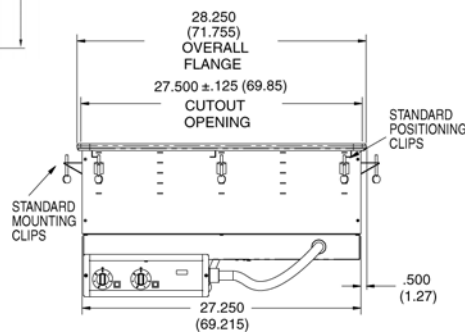
- ❑ Overall Dimension: 28.25" x 26.00" (71.755 cm x 60.04 cm)
- ❑ Cutout Dimensions: 27.50" x 25.25" (69.85 cm x 64.14 cm)
- ❑ Opening cutout must have a 7/8" (2.22 cm) corner radius.



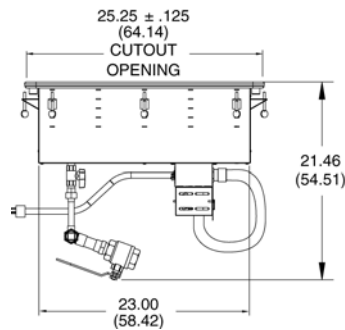
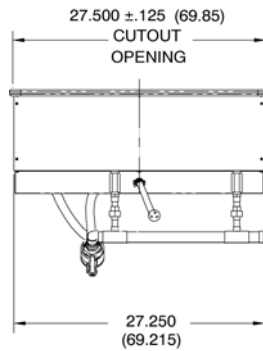
### Control Panel Cutout +.063/-0 (+.160/-0) Tolerance



### Standard Drain



### Manifold Drain

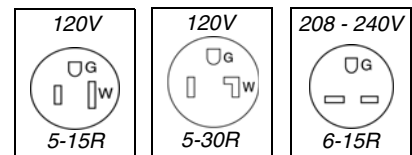


Dimensions shown in inches (centimeters).

## ELECTRICAL SPECIFICATIONS

Model	Total Watts	Volts	Nominal Amps	NEMA Plug
36399, 3639950, 3639960, 3639910, 3639970, 3639980	1250	120V AC	10.4	5-15P
3639901, 3639951, 3639961, 3639911, 3639971, 3639981	2000	120V AC	16.7	5-30P
36400, 3640050, 3640060, 3640010, 3640070, 3640080	1250	208V AC	6.0	6-15P
3640001, 3640051, 3640061, 3640011, 3640071, 3640081	1500 - 2000	208 - 240V AC	7.2 - 8.3	6-15P
36472, 3647250, 3647260, 3647210, 3647270, 3647280	1250	240V AC	5.2	6-15P

### Receptacles



The Vollrath Company, L.L.C.  
1236 North 18th Street  
Sheboygan, WI 53082-0611  
U.S.A.  
Main Tel: 800.624.2051  
Service Tel: 800.628.0832  
FAX: 800.752.5620

Vollrath of Canada, Co.  
Tel: 800.695.8560  
FAX: 800.752.5620