



# CHEMICAL SANITIZING SINGLE RACK STRAIGHT DISHWASHER

## AH

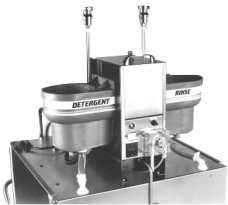
Low Temperature  
Straight Dishwasher



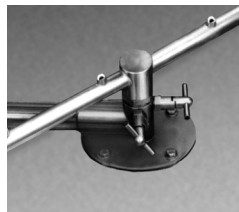
### FEATURES

- 40 racks / 160 covers per hour.
- All stainless steel construction assures long life and years of trouble free operation.
- Unique spray arm system features upper and lower stainless steel wash arms with reinforced end caps.
- Top mounted controls include built-in chemical pumps and deliming system that assures proper chemical usage.
- Auto start/stop makes operation safe and easy.
- Integrated scrap tray prevents food soil from entering drain system.
- Water inlet comes with built-in strainer, prevents debris from clogging the water valve.
- Dishmachine comes with 2 dishracks.
- Stainless steel impeller offers extended life and service.
- Stainless Steel scrap tray, long lasting.

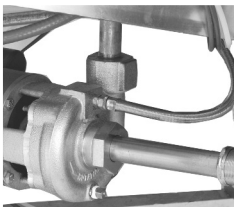
### CMA MODEL: AH



Solid/Powder Dual Bowl  
Option Dispenser. Bowl  
option available for capsule  
dispensed products.



Unique pull-pin design  
allows wash arms to be  
easily removed for cleaning.



Pump purging system  
improves results by  
eliminating soil and  
chemical carryover during  
rinse cycle.

### AVAILABLE OPTIONS

- Temp-Sure heater assures a continuous supply of 140°F hot water that guarantees excellent results. Requires a separate 208-240V 3 phase 40 amp power supply.
- Low Chemical Alarm
- Stainless Steel Dishtables
- Alternative Cycle Times
- Alternative Electrical Available
- Slant shelf 21"X42"
- Stainless Steel Scrap Trap in lieu of Poly Pro

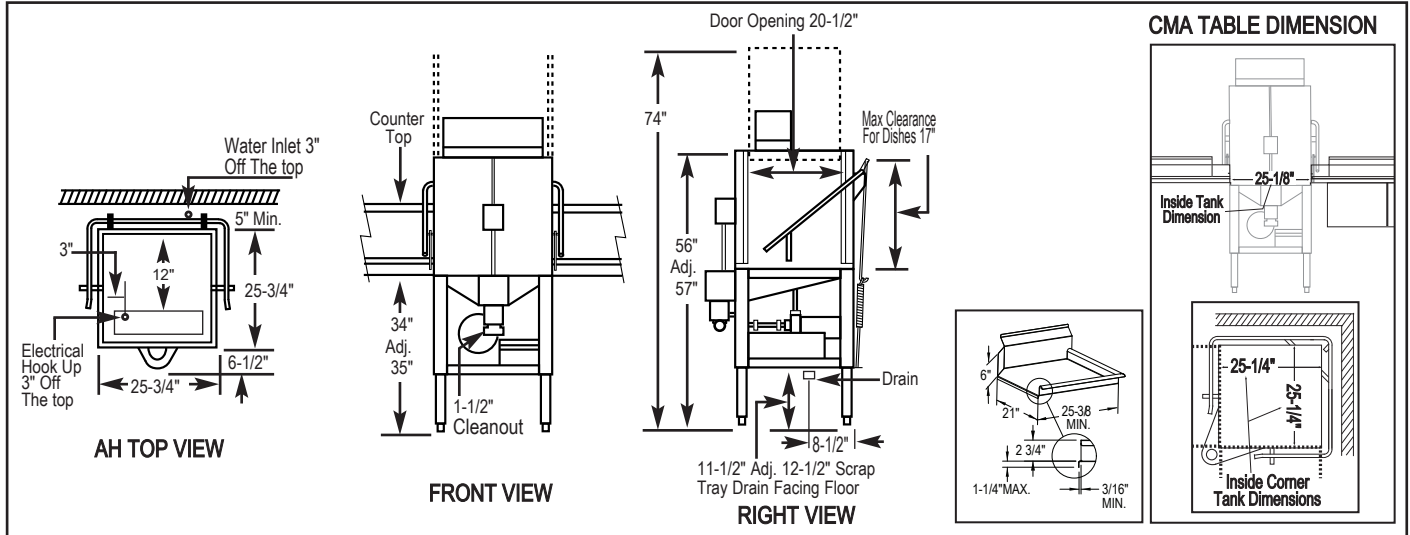




**AH**  
Chemical Sanitizing  
Single Rack  
Straight Dishwasher

**WARNINGS:**

- Plumbing connections must be made by a qualified service company who will comply with all available Federal, State, and Local Health, Plumbing and Safety codes.
- CMA recommends utilizing a water softening system to maintain water hardness measurements of 3.5 gpg (grains per gallon) or less. This will assure maximum results and optimum operation of the dishwasher.



**Specifications:**

MODEL AH	USA	METRIC	USA	METRIC
<b>OPERATING CAPACITY</b> RACKS PER HOUR (NSF RATED)	40	40	<b>WASH PUMP MOTORS HP</b>	1
<b>OPERATING CYCLE</b> WASH TIME-SEC RINSE TIME-SEC DWELL TIME-SEC TOTAL CYCLE TIME	45 30 15 90	45 30 15 90	<b>DIMENSIONS</b> DEPTH WIDTH (OUTSIDE DIMENSION) HEIGHT STANDARD TABLE HEIGHT MAXIMUM CLEARANCE FOR DISHES	1 25-3/4" 25-3/4" 56"-57" 34" 17" (65.4cm) (65.4cm) (142.2cm-144.8cm) (86cm) (43cm)
WASH TANK CAPACITY	1.7 GAL.	(6.45 L)	<b>STANDARD DISHRACK</b>	1
PUMP CAPACITY	52 GPM	(197 LPM)	DIMENSIONS	20" x 20" (50.8 x 50.8cm)
<b>OPERATING TEMPERATURE</b> REQUIRED RECOMMENDED	120°F 140°F	(49°C) (60°C)	<b>ELECTRICAL RATING</b>	<b>VOLTS</b> 115 <b>AMPS</b> 16
<b>WATER CONSUMPTION</b> PER RACK PER HOUR	1.7 GAL. 68 GPH	(6.45 L) (257 LPH)	<b>APPROXIMATE SHIPPING WEIGHT</b>	259# (117kg)
<b>WATER REQUIREMENTS</b> WATER INLET DRAIN-I.P.S.	3/4" 2"	(1.9cm) (5.1cm)	<b>SHIPPING DIMENSIONS</b>	PALLET & BOX @ 41" X 41" X 66"

**Summary Specifications: Model AH**

CMA Energy Mizer model AH low temperature, chemical sanitizing commercial dishwashers meet NSF, UL and construction standards WITHOUT the use of BOOSTER or TANK HEATERS. The model AH is constructed entirely of stainless steel. Each unit automatically washes, rinses and sanitizes food service utensils in standard 19-3/4" x 19-3/4" racks. Unit comes standard with upper and lower stainless steel wash arms. The model AH incorporates a pump purging system that improves results by eliminating soil and chemical carryover during rinse cycle. **Note: These machines do not have built-in heaters, therefore produce no steam.**

**Advisory:** CMA does NOT endorse "Tankless On-Demand" water heaters for use on CMA Dishmachine products. CMA DOES endorse, and highly recommends, the standard "tank" style water heaters, sized properly to handle each particular facility with their water heating requirements.



CMA Dishmachines 12700 Knott Street Garden Grove, CA 92841 • 800-854-6417 • 714-898-8781 • Fax: 714-895-2141 • www.cmadishmachines.com

CMA reserves the right to modify specifications or discontinue models without prior notification.

© 3-2020 CMA, Inc.

an Ali Group Company



The Spirit of Excellence