



PATTY MAKER

SERVING THE FOOD INDUSTRY SINCE 1951

TOP-DOWN PRESS PATTY MAKER WITH REAR-MOUNTED PAPER HOLDER

ITEM: 21572/ 21573



One pack of patty paper included



Authorized Dealer

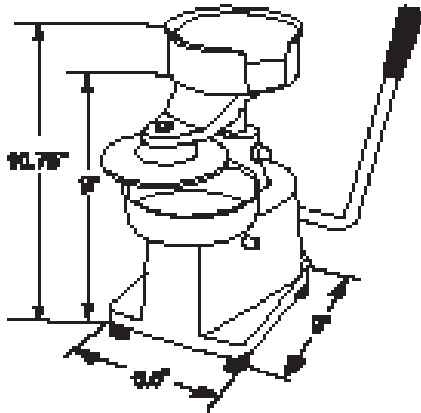


LIMITED WARRANTY



PATTY MAKER

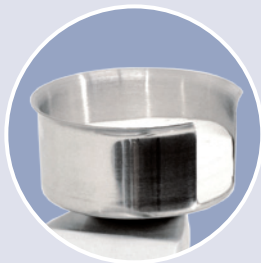
TOP-DOWN PRESS PATTY MAKER WITH REAR-MOUNTED PAPER HOLDER



(21572 & 21573 Overall dimensions)

This machine is made of anodized aluminum. The parts that are in contact with the meat are made of stainless steel and are easily removable for cleaning.

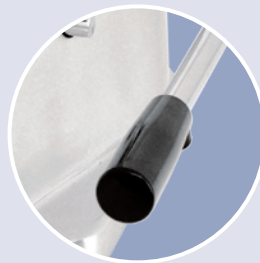
PARTS & TECHNICAL SPECIFICATION



Paper Tray



Food Tray



Bakelite Handle



Push Bar

	Patty Machine with 4" Diameter	Patty Machine with 5.2" Diameter
ITEM NUMBER	21572	21573
TYPE	4" Diameter	5.2" Diameter
CAPACITY	6.75 oz max	10 oz max
WEIGHT	11.44 lbs./ 5 kg	
PACKAGING WEIGHT	13.2 lbs./ 6 kg	
DIMENSIONS (DWH)	9" x 6.5" x 10.75" / 229 x 165 x 273 mm	
PACKAGING DIMENSIONS	10.75" x 9.5" x 12" / 273 x 241 x 305 mm	



OMCAN INC.

Telephone: 1-800-465-0234
 Fax: (905) 607-0234
 Email: sales@omcan.com
 Website: www.omcan.com



Follow us to keep up to date with the latest news and offers

